

SPECIFICATION SHEET

LED 14W POLO SLIMLINE BULKHEAD



The LED 14W POLO Bulkhead includes microwave sensor and corridor function options for maximum energy efficiency.

Applications:

- Educational providers
- Factories
- Hospitality



Image shown POL14LED

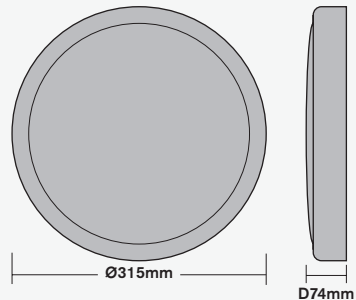
Specification

LED:	64pcs of SMD 2835 LED
Material:	Polycarbonate body and diffuser
Colour Temperature:	4000K
Guarantee:	3 Years
Life Expectancy:	25,000 Hours
Working Temperature:	-15°C - 50°C (5°C - 55°C for emergency versions)
Beam Angle:	120°
CRI:	83 Ra

Additional Information

- Please note a small amount of light is projected backwards for aesthetic purposes; this creates a halo effect on the mounting surface.

Dimensions



Code	Description	Lumen Output	Emergency	Microwave Sensor	Corridor Function	Dimensions (Ø x D mm)
POL14CT	Chrome Trim	N/A	No	No	No	315 x 74
POL14LED	14W LED POLO Bulkhead	1296lm	No	No	No	315 x 74
POL14LEDE	14W LED POLO Bulkhead	1307lm	Yes	No	No	315 x 74
POL14LEDEMS	14W LED POLO Bulkhead	1345lm	Yes	Yes	No	315 x 74
POL14LEDEMSCF	14W LED POLO Bulkhead	1345lm	Yes	Yes	Yes	315 x 74
POL14LEDMS	14W LED POLO Bulkhead	1345lm	No	Yes	No	315 x 74
POL14LEDMSCF	14W LED POLO Bulkhead	1345lm	No	Yes	Yes	315 x 74