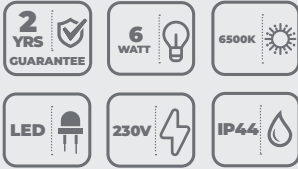




LF13

DUSK TO DAWN & PIR BULKHEADS



The LF13 range combines timeless design with energy efficient operation. This popular range offers a choice of photocell dusk to dawn control or automatic PIR presence detection. Ideal for amenity lighting in both commercial and domestic environments.

Features

- Strong polycarbonate construction
- Fully automatic photocell version
- PIR version with adjustable time delay and light threshold settings
- Perfect for security and amenity lighting



Specification

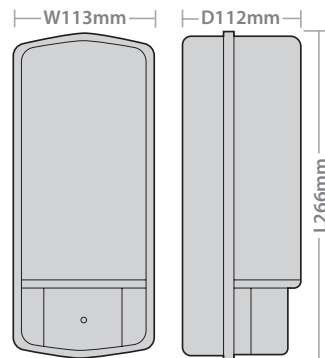
Material:	Polycarbonate
Colour Temperature:	6500K
Colour Finish:	Black
CRI	Ra>80
LED Lifetime:	L70B50 20,000 Hrs
IP Rating:	IP44
Working Temperature:	-5°C to 45°C
Electrical Class:	Class: II
Guarantee:	2 Years

Operational Settings

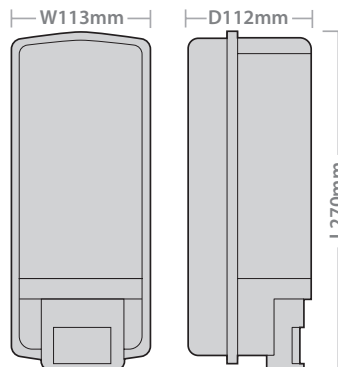
PIR Detector

- Time delay 10 seconds (+/-5s) to 4 minutes (+/- 1 minute)
- Light threshold adjustable - daytime or night only with light level adjustment
- Detection area 110°, max 12m area

Dimensions



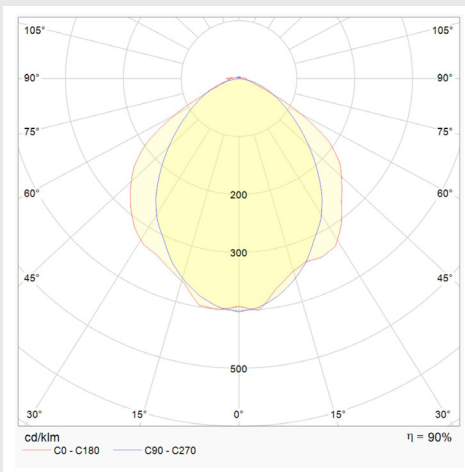
LF13LEDPC



LF13LEDPIR

Product Code	Description	Wattage	Lumen Output	Efficacy	Weight (Kg)	Barcodes
LF13LEDPC	LED Bulkhead with Photocell	6W	430 lm	72 lm/W	0.7	5055807613644
LF13LEDPIR	LED Bulkhead with PIR	6W	430 lm	72 lm/W	0.7	5055807613651

Light Distribution Curve



www.redarrowelectrical.co.uk