

INSTALLATION INSTRUCTIONS

VENUS COMPACT DOWNLIGHTS

Product Codes: **VEN150/1-40, VEN170/2-40, VEN200/2-40, VEN200/3-40**

Safety Warning



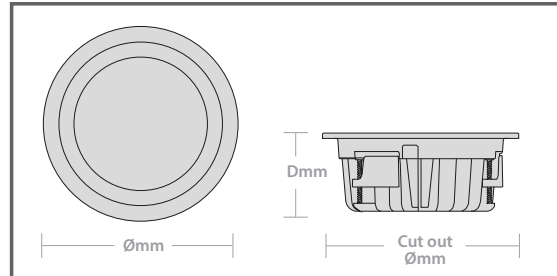
- The installation should be carried out by a qualified electrician in compliance with the current edition of the IEE Wiring Regulations.
- Prior to installation, carry out the necessary risk assessment considering the people who could be at risk, the level of risk and the precautions required to control the risk
- Ensure that the circuit supply is isolated either by the circuit supply fuse being removed or the applicable circuit breaker being turned off before installation or any maintenance.
- Check the total load on the circuit ensuring the luminaire does not exceed the rating of the circuit cable, fuse or circuit breaker.
- Long-term use and voltage fluctuations can reduce the life span of the fitting.
- If the fitting incorporates control gear, ensure careful sizing to avoid instances of nuisance tripping of the protective device used in the installation.
- Follow the provided installation instructions, using the fixings supplied or recommended.
- Keep out of reach of children.



Specification

Box Contents - Venus Compact Downlighter

Dimensions:	VEN150 – Ø:175 x D:70mm. Cut Out Ø:150mm VEN170 – Ø:195 x D:78mm. Cut Out Ø:170mm VEN200 – Ø:230 x D:86mm. Cut Out Ø:200mm
Material:	Body: Die-Cast Aluminium. Diffuser: PMMA
Working Temperature:	-20°C - 40°C
Included:	Remote driver with locking plug & socket connector



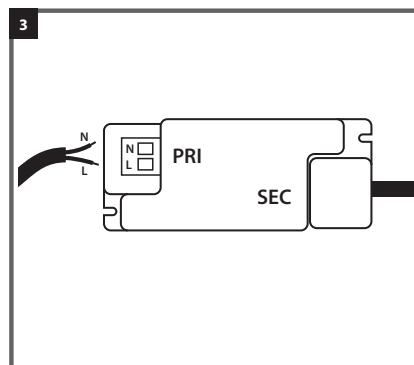
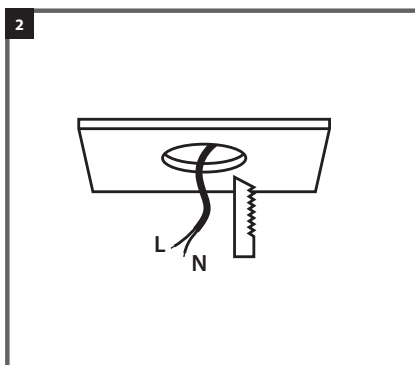
*From Below Ceiling

MAXIMUM FITTINGS PER CIRCUIT

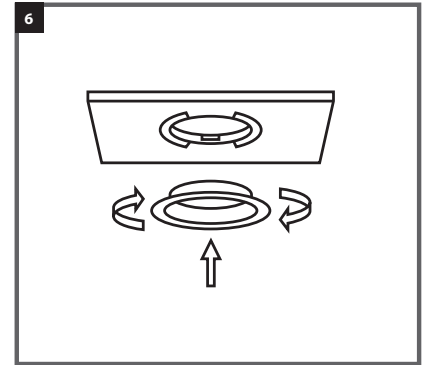
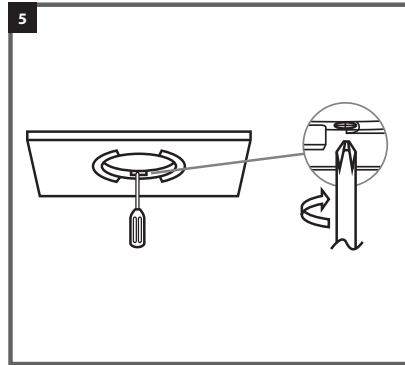
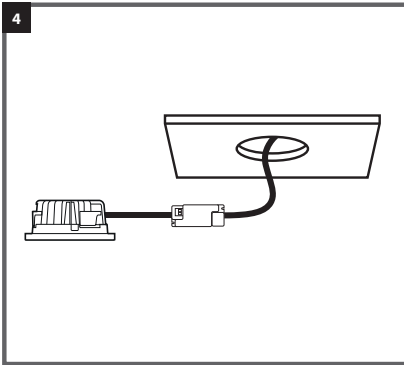
Automatic Circuit Breaker Type:	B6	B10	B13	B16	B20	C10	C13	C16	C20
Rated Current:	6A	10A	13A	16A	20A	10A	13A	16A	20A
Cable (mm):	1.5	1.5	1.5	2.5	2.5	1.5	1.5	2.5	2.5
VEN150/1-40	20	33	43	53	66	66	86	106	133
VEN170/2-40	11	19	25	30	38	38	50	61	77
VEN200/2-40	11	19	25	30	38	38	50	61	77
VEN200/3-40	7	12	16	20	25	25	32	40	50

Installation Instructions

- Rotate the white bezel clockwise to remove it from the body of the fitting.
- Cut out a hole in the ceiling to the appropriate size (refer to dimensions in the specification above). In the ceiling void, ensure there is at least 75mm clearance all around the fitting and at least 20mm above, to allow free air circulation. This fitting must not be covered with insulating material.
- Feed the power supply cable through the hole. Remove the cable strain relief cover from the driver Primary input and connect the supply cable to the push fit terminals, observing correct polarity. Replace the strain relief clamp to retain the cable.



4. Pass the supply cable and driver through the ceiling aperture and offer up the downlight body until it sits flush against the ceiling.
5. Holding it in position, engage the adjustable brackets. Using a screwdriver, turn each of the 3 x black screws in a clockwise direction until all three brackets are securely supporting the downlight in the ceiling.
6. Replace the white bezel trim. Align the arrow on the bezel with the white arrow marked on the body, push the bezel up and rotate it anti-clockwise until it is securely clicks into position against the spring clips.
7. Restore the power supply and check for correct operation.



Floating Glass Attachments

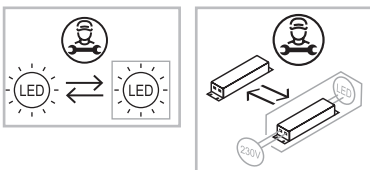
- An attractive floating glass attachment is available for this downlight (order separately)
 - For VEN150/1-40 order a VEN150/FG
 - For VEN170/2-40 order a VEN170/FG
 - For a VEN200/2-40 and VEN200/3-40 order a VEN200/FG
- To install the floating glass attachment:
 - Remove the existing white bezel by rotating it clockwise
 - Fit the floating glass bezel by aligning the arrow on the bezel with the white arrow marked on the body. Push the bezel up and rotate it anti-clockwise until it is securely clicks into position against the spring clips

Guarantee

This product is guaranteed for a period of 5 years from the date of purchase. The guarantee is invalid in the case of improper use, tampering, removal of the Q.C. date label, installation in an improper working environment or installation not according to the current edition of the I.E.E. Wiring Regulations (BS7671). The guarantee is also invalidated if the luminaire has been insulation tested. Should this product fail during the guarantee period it will be replaced free of charge, subject to correct installation and return of the faulty unit. We do not accept responsibility for any installation costs associated with the replacement of this product. Your statutory rights are not affected. We reserve the right to alter specifications without prior notice.

Maintenance

- This fitting will require routine cleaning if used in adverse (dust, paint, welding, oils etc) environments. Do not use solvents, aggressive detergents or abrasives.
- The LEDs and Driver in this product can be replaced at the end of life. This must be carried out by a professional, competent person.



- When this fitting comes to the end of its life or you choose to replace it, please do not dispose of it with your normal waste. Please recycle where the facilities exist, check with your local authority for suitable options.

INS/DOWNLIGHTS/0006/VEN/V1