



VENUS

COMPACT DOWNLIGHTS



Venus is a new range of compact commercial downlights, designed as the perfect retrofit solution to compact fluorescent installations. The die-cast aluminium range features adjustable fixing brackets and optional floating glass attachments.



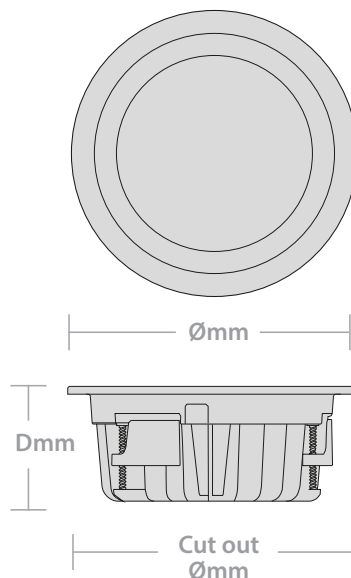
Features

- High quality, die-cast aluminium construction
- 1000, 2000, 3000 lumen output options
- 150, 170 & 200mm cut outs, ideal for PL downlight retrofit
- Optional floating glass attachment
- Ceiling brackets adjust from below

Specification

Material:	Body: Die-Cast Aluminium Diffuser: PMMA
Colour Temperature:	4000K
Colour Finish	White RAL9003
CRI	Ra>80
LED Lifetime:	L80B50 50,000 Hrs
IP Rating:	IP54 (From below ceiling)
Working Temperature:	-20°C to 40°C
Power Factor:	0.5 / 0.9
Electrical Class	Class II
Guarantee:	5 Years

Dimensions



Product Code	Dimensions	Cut Out
VEN150	Ø: 175mm, D:70mm	Ø: 150 mm
VEN170	Ø: 195mm, D:78mm	Ø: 170 mm
VEN200	Ø: 230mm, D:86mm	Ø: 200 mm

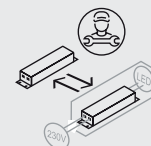
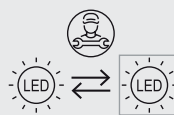
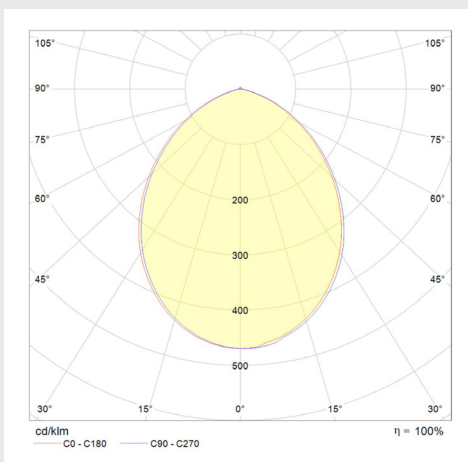
Product Code	Description	Cut-out	Wattage	Lumen Output	Efficacy	Power Factor	Barcodes	Net Weight (kg)
VEN150/1-40	Venus Downlight	150mm	11W	1100 lm	100 lm/W	0.5	5055807623469	0.55
VEN170/1-40	Venus Downlight	170mm	18W	2000 lm	110 lm/W	0.9	5055807623476	0.73
VEN200/2-40	Venus Downlight	200mm	18W	2000 lm	110 lm/W	0.9	5055807623483	1.25
VEN200/3-40	Venus Downlight	200mm	29W	3200 lm	110 lm/W	0.9	5055807623490	1.25
VEN150/FG	Floating Glass Attachment for VEN150						5055807623506	0.24
VEN170/FG	Floating Glass Attachment for VEN170						5055807623513	0.33
VEN200/FG	Floating Glass Attachment for VEN200						5055807623520	0.43
TITAN/KIT	Emergency Conversion Kit				LiFeP04	5055807623537		

Maximum Fittings Per Circuit

Automatic Circuit Breaker Type:	B6	B10	B13	B16	B20	C10	C13	C16	C20
Rated Current:	6A	10A	13A	16A	20A	10A	13A	16A	20A
Cable (mm):	1.5	1.5	1.5	2.5	2.5	1.5	1.5	2.5	2.5
VEN150/1-40	20	33	43	53	66	66	86	106	133
VEN170/2-40	11	19	25	30	38	38	50	61	77
VEN200/2-40	11	19	25	30	38	38	50	61	77
VEN200/3-40	7	12	16	20	25	25	32	40	50



Light Distribution Curve



www.redarrowelectrical.co.uk