

INSTALLATION INSTRUCTIONS

Meteor Floodlights with PIR

Product Codes: **MET10PIR-60, MET20PIR-60, MET30PIR-60 & MET50PIR-60**

Safety Warning



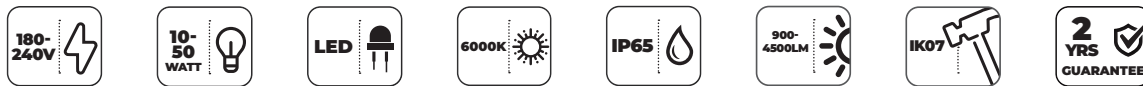
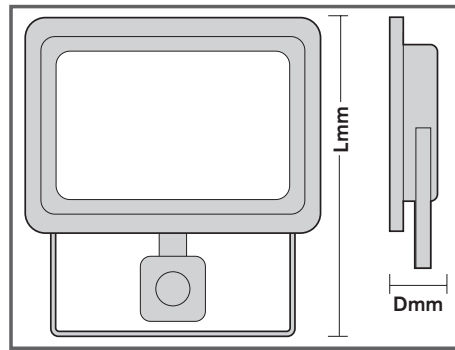
- The installation should be carried out by a qualified electrician in compliance with the current edition of the IEE Wiring Regulations.
- Prior to installation, carry out the necessary risk assessment considering the people who could be at risk, the level of risk and the precautions required to control the risk
- Ensure that the circuit supply is isolated either by the circuit supply fuse being removed or the applicable circuit breaker being turned off before installation or any maintenance.
- Check the total load on the circuit ensuring the luminaire does not exceed the rating of the circuit cable, fuse or circuit breaker.
- Long-term use and voltage fluctuations can reduce the life span of the fitting.
- If the fitting incorporates control gear, ensure careful sizing to avoid instances of nuisance tripping of the protective device used in the installation.
- Follow the provided installation instructions, using the fixings supplied or recommended.
- Keep out of reach of children.



Specification

Box Contents -
1 x Meteor Floodlight with PIR

Dimensions:	MET10PIR-60: L: 158 x W: 120 x D: 54mm MET20PIR-60: L: 159 x W: 140 x D: 54mm MET30PIR-60: L: 180 x W: 177 x D: 54mm MET50PIR-60: L: 215 x W: 223 x D: 54mm
Material:	Body - Die-cast Aluminium, Lens - Polycarbonate
Working Temperature:	Standard: -20°C - 45°C
Included:	Integral PIR Sensor 1m Pre-wired Cable Steel Mounting Bracket



Maximum Fittings Per Circuit

Automatic Circuit Breaker Type:	B6	B10	B13	B16	B20	C10	C13	C16	C20
Rated Current:	6A	10A	13A	16A	20A	10A	13A	16A	20A
Cable (mm):	1.5	1.5	1.5	1.5	2.5	1.5	1.5	1.5	2.5
MET10PIR-60	150	250	325	400	500	250	325	400	500
MET20PIR-60	75	125	163	200	250	125	163	200	250
MET30PIR-60	60	100	130	160	200	100	130	160	200
MET50PIR-60	30	50	65	80	100	50	65	80	100

Installation Instructions

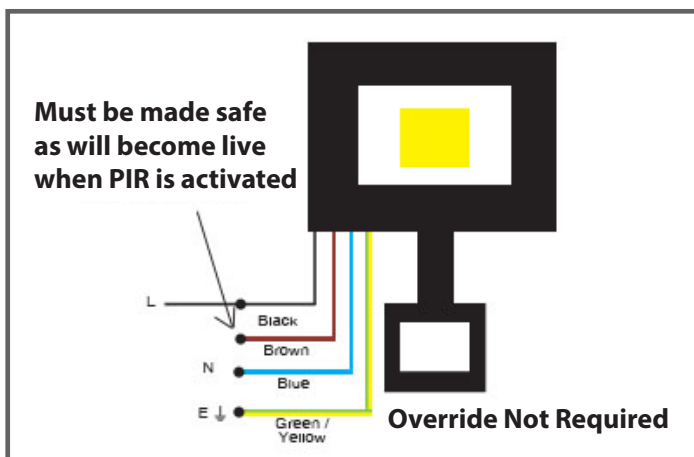
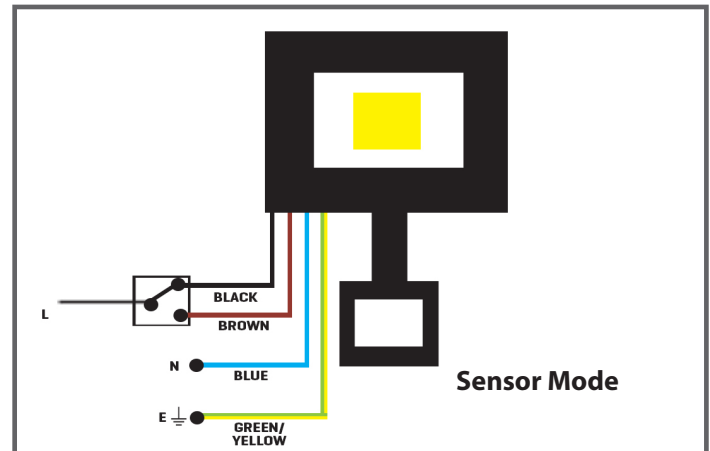
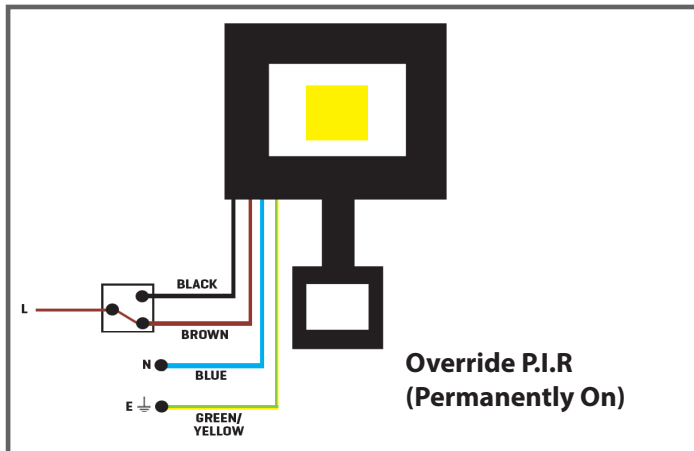
1. Ensure there is adequate free air circulation of at least 100mm around the fitting. All fittings run hot. It is the installer's responsibility to consider any fire risk and take appropriate precautions.
2. The nearest illuminated surface must be at least 0.5m from the front of the fitting.
3. Check for concealed cables before drilling any fixing holes.
4. Fix the bracket to a wall or similar hard surface.
5. Connect the cable to the power supply.
6. NOTE: 10W & 20W Versions are 3 wire connection. To switch on the fitting and over-ride the PIR, switch on the mains supply via a local switch, then off and then on again in rapid succession. To reset the PIR to normal operation, turn the mains supply off via the local switch, then turn on again after 3 seconds.

7. Installation Instructions - 4th Wire (ONLY applies to 30W & 50W)

This Meteor Floodlight with PIR is equipped with a 4th wire (Brown). This wire can be used as follows:

- Connected to a switch (as per diagram below), when switched on will bypass the PIR and the Meteor Floodlight will remain on until switched off.

NOTE: If the 4th (Brown) wire is not required it must be terminated safely as when the PIR is activated it will become live.



Testing the PIR

- Turn the SENS dial anti-clockwise to the maximum point, turn the TIME dial clockwise to the minimum point, turn the LUX dial clockwise to the Sun.
- When you switch on the power, the fitting will not illuminate. After a 30 second pre-heat, when the sensor gets the induction signal, the load will turn on. Once the load switches off, it will then turn on again after 5-15 seconds of the sensor receiving an induction signal.
- After the sensor goes off, trigger the detection field after 5-10 seconds. The load should work. When there is no induction signals in the sensor, the load should stop working.
- Turn the LUX dial anti-clockwise to the Moon. If it is adjusted to less than 3 LUX (dark), the load and sensor should not work when testing in daylight. If you cover the detection window with an opaque object, the load should work. Under no induction signal condition, the load should stop working within 5-15 seconds.

NOTE: WHEN TESTING IN DAYLIGHT, PLEASE TURN THE LUX TO THE SUN POSITION, OTHERWISE THE SENSOR WILL NOT WORK!

Troubleshooting

The Sensitivity is Poor:

- Please check if there are any objects in the detection field.
- Please check if the ambient temperature is too high.
- Please check if the installation height corresponds to the height shown in the instructions.
- Please check that your direction of travel doesn't create poor sensitivity of the Sensor. (i.e. If you are walking towards the fitting this creates poor sensitivity).

The Sensor Can Not Shut Off the Load Automatically:

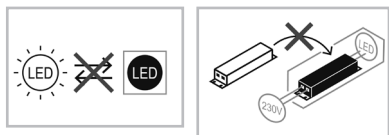
- Please check if there are any possibilities of false triggering.
- Please check if the time delay is at its maximum.
- Please check if the power corresponds to the instructions.
- Please check if the temperature near the sensor changes, such as if there's air conditioning or central heating.

Guarantee

This product is guaranteed for a period of 2 years from the date of purchase. The guarantee is invalid in the case of improper use, tampering, removal of the Q.C. date label, installation in an improper working environment or installation not according to the current edition of the I.E.E. Wiring Regulations (BS7671). The guarantee is also invalidated if the luminaire has been insulation tested. Should this product fail during the guarantee period it will be replaced free of charge, subject to correct installation and return of the faulty unit. We do not accept responsibility for any installation costs associated with the replacement of this product. Your statutory rights are not affected. We reserve the right to alter specifications without prior notice.

Maintenance

- This fitting will require routine cleaning if used in adverse (dust, paint, welding, oils etc) environments. Do not use solvents, aggressive detergents or abrasives.
- The light source & driver in this luminaire are not replaceable. When the fitting comes to the end of its life or you choose to replace it, please do not dispose of it with your normal waste. Please recycle where the facilities exist, check with your local authority for suitable options.



INS/OUTDOOR/0006/METPIR/V2