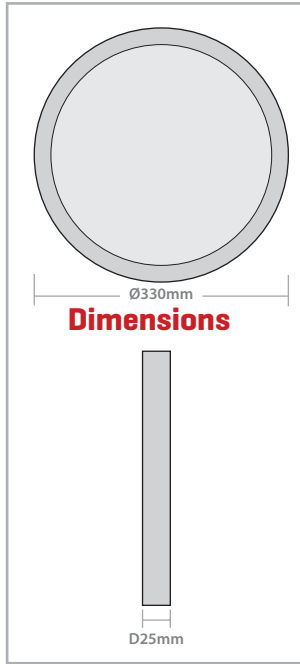




DISCUS MAX

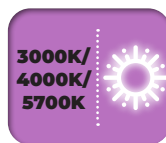
CCT & WATTAGE SELECTABLE LUMINAIRE



CODE	DESCRIPTION	WATTAGE	LUMEN OUTPUT	LM/W	CRI	POWER FACTOR	BEAM ANGLE	COLOUR	DIMENSIONS (L X W X D MM)	WEIGHT (KG)
DSM1528-CCT	DISCUS MAX CCT Selectable	15W/22W/28W	15W: 1200-1400 lm 22W: 1800-2000 lm 28W: 2300-2500 lm	80-93 lm/W	Ra >80	>0.9	110°	WHITE	Ø: 330 x D: 25mm	1.05
DSM1528PIR-CCT	DISCUS MAX CCT Selectable with PIR	15W/22W/28W	15W: 1200-1400 lm 22W: 1800-2000 lm 28W: 2300-2500 lm	80-93 lm/W	Ra >80	>0.9	110°	WHITE	Ø: 330 x D: 25mm	1.05
DSMBZ-S	Discus Max Bezel - Silver	-	-	-	-	-	-	SILVER	Ø: 330 x D: 25mm	0.29
DSMPBZ-S	Discus Max Bezel for PIR version - Silver	-	-	-	-	-	-	SILVER	Ø: 330 x D: 25mm	0.29

Additional Information

Another sleek, smart downlight to add to the Discus family. The Discus Max is wattage selectable but has the added bonus of also being colour temperature selectable too. Available with option integral PIR and a choice of silver bezel attachments. Discus Max can easily replace existing fittings with the innovative adjustable bracket included to fit cut outs of 65-310mm.

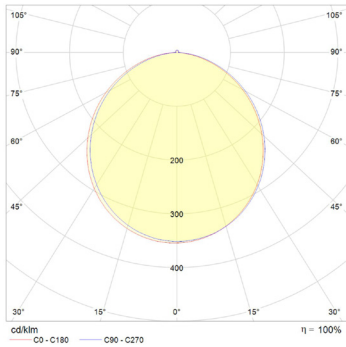




DISCUS MAX

CCT & WATTAGE SELECTABLE LUMINAIRE

**Photometric Light
Distribution Curve**

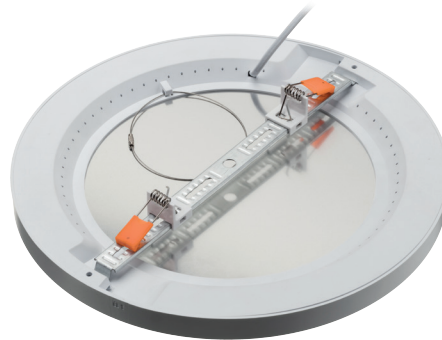


Key Features

- Ultra slim, discreet profile
- Wattage selectable for variable lumen output
- CCT colour temperature selectable - 3000K, 4000K, 5700K
- Integral PIR sensor version
- Surface mount plus innovative adjustable bracket to permit retrofit to existing cutouts 65mm - 310mm



DSM1528PIR



DSM BRACKET



DSM SETTINGS

Automatic Circuit Breaker Type (ACB)	B6	B10	B13	B16	B20	C10	C13	C16	C20
Rated current [Ampere]	6A	10A	13A	16A	20A	10A	13A	16A	20A
Cable Size [mm ²]	1.5mm ²	1.5mm ²	1.5mm ²	1.5mm ²	2.5mm ²	1.5mm ²	1.5mm ²	1.5mm ²	2.5mm ²
DSM1528-CCT & DSM1528PIR-CCT [15W]	69	103	103	103	172	103	103	103	172
DSM1528-CCT & DSM1528PIR-CCT [22W]	47	70	70	70	117	70	70	70	117
DSM1528-CCT & DSM1528PIR-CCT [28W]	37	55	55	55	92	55	55	55	92