



INSTALLATION INSTRUCTIONS

PRODUCT: **WILSON X SLIM BULKHEAD / WILSON X SLIM BULKHEAD WITH EMERGENCY**
 PRODUCT CODES: **WLX25, WLX25/C, WLX25E & WLX25E/C**

TESTING

The emergency light must be tested and inspected regularly in accordance with local codes of practice.
 NOTE: For safety reasons tests should be carried out preceeding time of low risk, to allow for battery recharge.
 The minimum recommended test schedule is as follows:
 Commissioning - After installation, allow 36 hours to ensure full battery charge, and then interrupt the supply; check after 3 hours that the lamp is still illuminated.
 1. Daily - Check that the charge indicator LED is working.
 2. Monthly - Interrupt the power supply for a period sufficient to ensure each lamp is illuminated. At the end of the test, restore the supply and check the indicator is illuminated.
 3. Annually - Interrupt the supply as in 2, but for the full rated duration. Ensure the lamp is illuminated at the end of the rated duration. Restore the supply and check the indicator is illuminated.
 4. Record the date and result of each test, attending to any maintenance required in the event of a test failure.

LUMINAIRE LOCATION DATE INSTALLED
 DATE COMMISSIONED

MONTH	TEST	YEAR 1			YEAR 2			YEAR 3		
		SIGNED	RESULT/ACTION	DATE	SIGNED	RESULT/ACTION	DATE	SIGNED	RESULT/ACTION	DATE
1	Functional									
2	Functional									
3	Functional									
4	Functional									
5	Functional									
6	Functional									
7	Functional									
8	Functional									
9	Functional									
10	Functional									
11	Functional									
12	Full Duration									

INS/COMMERCIAL/0010/WLX25/V2



INSTALLATION INSTRUCTIONS

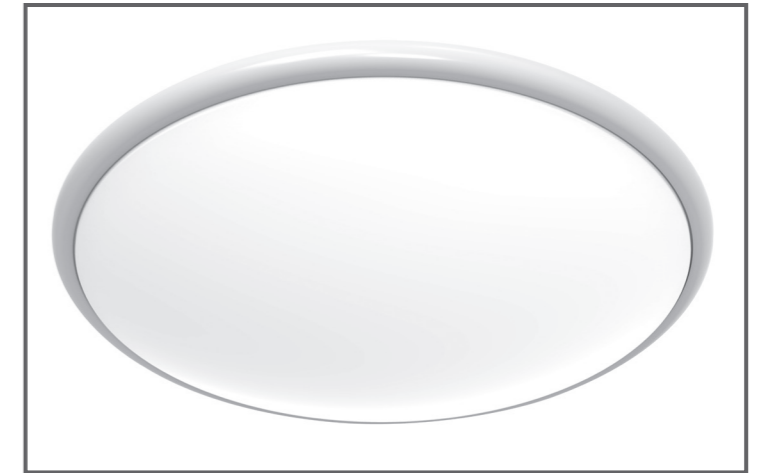
PRODUCT: **WILSON X SLIM BULKHEAD / WILSON X SLIM BULKHEAD WITH EMERGENCY**
 PRODUCT CODES: **WLX25, WLX25/C, WLX25E & WLX25E/C**

BOX CONTENTS -
1 x Wilson X Slim Bulkhead / 1 x Wilson X Slim Bulkhead with Emergency

SPECIFICATION

220-240V	25 WATT	LED	4000K
IP20	2600LM/EM 150LM	IK04	3* YRS GUARANTEE

*Batteries 1 year guarantee



Dimensions:	Ø: 435 x D: 100mm
Material:	Steel Body & Polycarbonate Diffuser
Working Temperature:	-20°C - 40°C (EM 0°C - 40°C)
Included:	Fast Fit Terminal Block

MAXIMUM FITTINGS PER CIRCUIT

Automatic Circuit Breaker Type	B6	B10	B13	B16	B20	C10	C13	C16	C20
Rated Current	6A	10A	13A	16A	20A	10A	13A	16A	20A
Cable (mm)	1.5	1.5	1.5	1.5	2.5	1.5	1.5	1.5	2.5
WLX25/C	25	40	50	60	80	40	50	60	80
WLX25E/C	20	35	45	50	70	35	45	50	70

SAFETY WARNING



- The installation should be carried out by a qualified electrician in compliance with the current edition of the IEE Wiring Regulations.
- Prior to installation, carry out the necessary risk assessment considering the people who could be at risk, the level of risk and the precautions required to control the risk
- Ensure that the circuit supply is isolated either by the circuit supply fuse being removed or the applicable circuit breaker being turned off before installation or any maintenance.
- Check the total load on the circuit ensuring the luminaire does not exceed the rating of the circuit cable, fuse or circuit breaker.
- Long-term use and voltage fluctuations can reduce the life span of the fitting.
- If the fitting incorporates control gear, ensure careful sizing to avoid instances of nuisance tripping of the protective device used in the installation.
- Follow the provided installation instructions, using the fixings supplied or recommended.
- Keep out of reach of children.



Red Arrow Electrical Distribution
 Cortonwood Drive, Brampton,
 Barnsley, S73 0UF

T: 0800 195 0006
 sales@redarrowelectrical.co.uk

redarrowelectrical.co.uk



Red Arrow Electrical Distribution
 Cortonwood Drive, Brampton,
 Barnsley, S73 0UF

T: 0800 195 0006
 sales@redarrowelectrical.co.uk

redarrowelectrical.co.uk

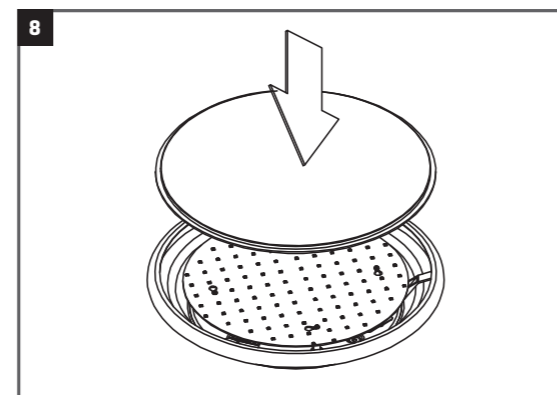
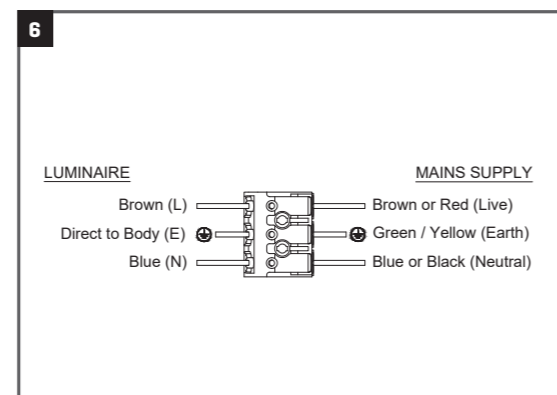
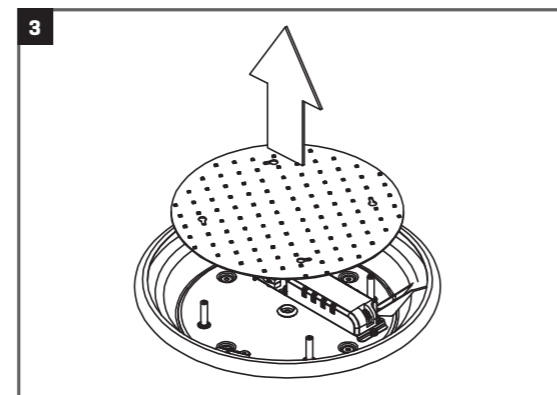
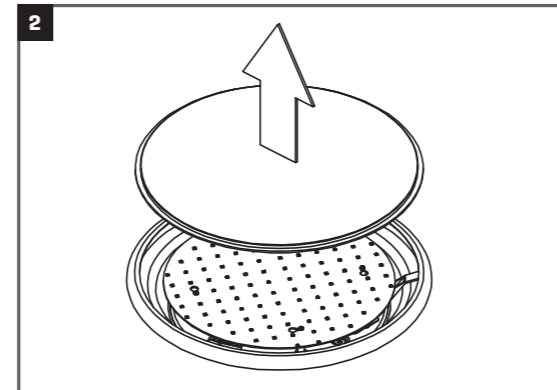
INSTALLATION INSTRUCTIONS

PRODUCT: **WILSON X SLIM BULKHEAD / WILSON X SLIM BULKHEAD WITH EMERGENCY**
PRODUCT CODES: **WLX25, WLX25/C, WLX25E & WLX25E/C**

INSTALLATION INSTRUCTIONS

- ISOLATE THE MAINS SUPPLY BEFORE COMMENCING WITH THE INSTALLATION.
- REMOVE THE DIFFUSER FROM THE BASE. PRESS THE DIFFUSER IN, AGAINST THE SPRING CLIPS. SLIDE THE DIFFUSER TO ONE SIDE UNTIL ONE EDGE IS VISIBLE. PULL VISIBLE EDGE OUT OF THE BODY TO REMOVE DIFFUSER.
- LOOSEN, BUT DO NOT REMOVE, THE FOUR GEAR TRAY RETAINING SCREWS, ROTATE THE GEAR TRAY TO ALIGN THE SCREW HEADS WITH THE LARGE APERTURE OF THE KEYHOLE SLOTS AND REMOVE THE GEAR TRAY AWAY FROM THE BASE.
- A CABLE ENTRY POINT IS PROVIDED VIA A GROMMET, WHICH SHOULD BE PIERCED TO PASS A CABLE THROUGH.
- FEED THE MAINS CABLE THROUGH THE GROMMET.
 - HOLD THE FITTING UP TO THE CEILING/WALL IN THE DESIRED POSITION AND MARK HOLE FIXING CENTRES.
 - DRILL FIXING HOLES.
 - INSERT RAWL PLUGS.
 - FIX IN POSITION WITH FIXINGS SUPPLIED.
- CONNECT THE MAINS SUPPLY CABLES TO THE TERMINAL BLOCKS SUPPLIED AS FOLLOWS:
 - LIVE (BROWN/RED) TO TERMINAL MARKED L
 - NEUTRAL (BLUE/BLACK) TO TERMINAL MARKED N
 - EARTH (GREEN/YELLOW) TO TERMINAL MARKED E
 N.B. THESE LUMINAIRES MUST BE EARTHED.
- ENSURE THERE ARE NO EXPOSED CONDUCTORS, LOOSE STRANDS OR TRAPPED INSULATION.
- REFIT THE GEAR TRAY AND SECURE BY RETIGHTENING THE SCREWS.
- REFIT THE DIFFUSER.

RESTORE THE MAINS POWER SUPPLY, SWITCH ON AND TEST FOR SATISFACTORY OPERATION.

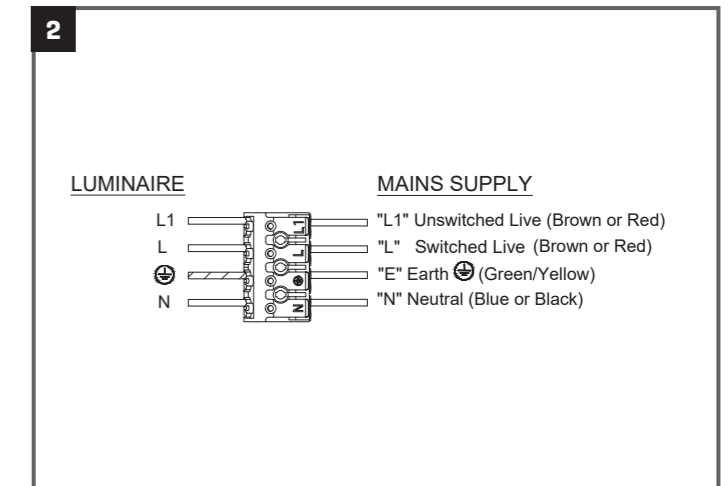


INSTALLATION INSTRUCTIONS

PRODUCT: **WILSON X SLIM BULKHEAD / WILSON X SLIM BULKHEAD WITH EMERGENCY**
PRODUCT CODES: **WLX25, WLX25/C, WLX25E & WLX25E/C**

EMERGENCY VERSION INSTRUCTIONS

- FOLLOW INSTRUCTIONS 1-5 LEFT
- THE LUMINAIRE REQUIRES A SECONDARY UNSWITCHED LIVE SUPPLY AS WELL AS A SWITCHED SUPPLY. CONNECT THE UNSWITCHED SUPPLY TO THE TERMINAL MARKED L1. CONNECT THE SWITCHED SUPPLY TO THE TERMINAL MARKED L. THE 'UNSWITCHED' SUPPLY MUST BE TAKEN FROM THE SAME PHASE AS THE 'SWITCHED' SUPPLY AND MUST BE WIRED TO THE SAME MCB SO THAT UPON TEST, IT IS ISOLATED AT THE SAME TIME AS THE SWITCHED SUPPLY.
- ROUTE THE CABLE TO THE TERMINAL BLOCK AND TERMINATE, ENSURING CORRECT LOCATION IS OBSERVED.
- WHEN THE POWER SUPPLY IS RECONNECTED, CHECK THE GREEN LED ILLUMINATES. THIS INDICATES THE BATTERIES ARE CHARGING.
- THE BATTERIES SHOULD BE CHARGED FOR AT LEAST 24 HOURS BEFORE CARRYING OUT A FULL DISCHARGE TEST, TO CHECK BATTERIES ARE CHARGING CORRECTLY AND THREE HOUR EMERGENCY DURATION IS ACHIEVED.



NOTE: FOR NON-MAINTAINED OPERATION, ONLY AN UNSWITCHED SUPPLY TO TERMINAL L1 IS REQUIRED.

FOR SWITCHED MAINTAINED, FOLLOW INSTRUCTIONS IN 2 ABOVE.

FOR UNSWITCHED MAINTAINED OPERATION, CONNECT CABLES AS IN 2 ABOVE BUT ALSO LINK L & L1.

GUARANTEE

This product is guaranteed for a period of 3 years from the date of purchase (batteries 1 year). The guarantee is invalid in the case of improper use, tampering, removal of the Q.C. date label, installation in an improper working environment or installation not according to the current edition of the I.E.E. Wiring Regulations (BS7671). The guarantee is also invalidated if the luminaire has been insulation tested. Should this product fail during the guarantee period it will be replaced free of charge, subject to correct installation and return of the faulty unit. We do not accept responsibility for any installation costs associated with the replacement of this product. Your statutory rights are not affected. We reserve the right to alter specifications without prior notice.

MAINTENANCE

- This fitting will require routine cleaning if used in adverse (dust, paint, welding, oils etc) environments. Do not use solvents, aggressive detergents or abrasives.
- When this fitting comes to the end of its life or you choose to replace it, please do not dispose of it with your normal household waste. Please recycle where the facilities exist, check with your local authority or retailer for suitable options.

