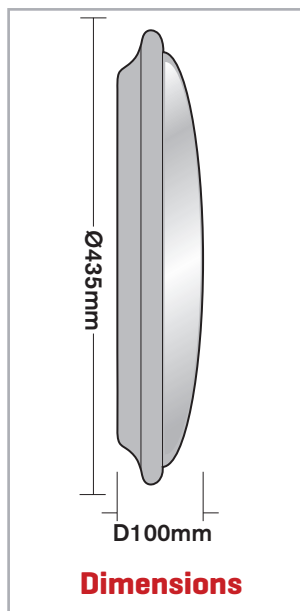




# WILSON X SLIM BULKHEADS



CODE	DESCRIPTION	LUMEN OUTPUT	LM/W	CRI	POWER FACTOR	DIMENSIONS (Ø X D MM)	WEIGHT (KG)	REPLACES OLD CODE
WLX25	WILSON X SLIM BULKHEAD WHITE/OPAL 25W 4000K	2600 lm	104	>80	0.9	435 x 100	2.36	WIL22LED
WLX25/C	WILSON SLIM BULKHEAD CHROME/OPAL 25W 4000K	2600 lm	104	>80	0.9	435 x 100	2.36	WIL22LEDC
WLX25E	WILSON SLIM BULKHEAD WHITE/OPAL 25W 4000K C/W 3HR EM	2600 lm (150 lm in EM)	104	>80	0.8	435 x 100	2.56	WIL22LEDE
WLX25E/C	WILSON SLIM BULKHEAD CHROME/OPAL 25W 4000K C/W 3HR EM	2600 lm (150 lm in EM)	104	>80	0.8	435 x 100	2.56	WIL22LEDCE
WLX25/MS	WILSON SLIM BULKHEAD WHITE/OPAL 25W 4000K C/W M/W	2600 lm	104	>80	0.85	435 x 100	2.56	WIL22LEDMS
WLX25E/MS	WILSON SLIM BULKHEAD WHITE/OPAL 25W 4000K C/W M/W & 3 HR EM	2600 lm (150 lm in EM)	104	>80	0.75	435 x 100	2.86	WIL22LEDEMS

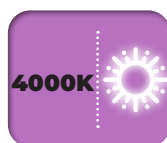
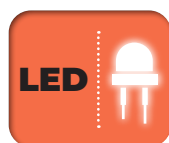
M/W = Microwave Detector

### Description

Wilson X Slim Bulkheads have a sleek, contemporary design with a shallow profile & opal homogeneously lit diffuser making them ideal for a wide range of applications, particularly stairwells and circulation areas. The new design has a 40% increase in lumen output, improved efficacy & improved emergency lighting output.

### Key Features

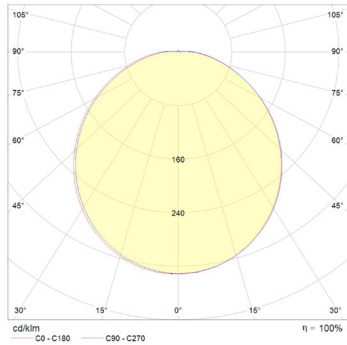
- Sleek, contemporary design
- Shallow profile with opal homogeneously lit diffuser
- Higher lumen output of 2600 lm - 40% increase
- Improved efficacy 104lm/W - 20% higher
- Improved emergency lighting output
- Microwave presence detector and integral emergency options
- Choice of RAL9010 White or Chrome finish
- LED Lifetime 30,000hrs
- Ideal for a wide range of applications, particularly stairwells and circulation areas
- Working Temperature -20°C to 40°C [0°C to 40°C on emergency options]
- \* NOTE: Emergency battery guarantee is 1 year





# WILSON X SLIM BULKHEADS

**Photometric Light Distribution Curve**



- Wattage: 25W
- Lumen Output: 2600lm
- LOR: 100%

**Maximum Fittings Per Circuit**

Automatic Circuit Breaker Type (ACB)	B6	B10	B13	B16	B20	C10	C13	C16	C20
Rated current [Ampere]	6A	10A	13A	16A	20A	10A	13A	16A	20A
Cable Size [mm <sup>2</sup> ]	1.5mm <sup>2</sup>	1.5mm <sup>2</sup>	1.5mm <sup>2</sup>	1.5mm <sup>2</sup>	2.5mm <sup>2</sup>	1.5mm <sup>2</sup>	1.5mm <sup>2</sup>	1.5mm <sup>2</sup>	2.5mm <sup>2</sup>
WLX25 & WLX25/C	25	40	50	60	80	40	50	60	80
WLX25E & WLX25E/C	20	35	45	50	70	35	45	50	70
WLX25/MS	25	40	50	60	80	40	50	60	80
WLX25E/MS	20	35	45	50	70	35	45	50	70